



## TELESCOPING FLAGPOLES

For Technical Support visit us at [ownerscorner.sunsetter.com](http://ownerscorner.sunsetter.com)  
or Call Toll Free 800-670-7071 • Fax 877-224-4944

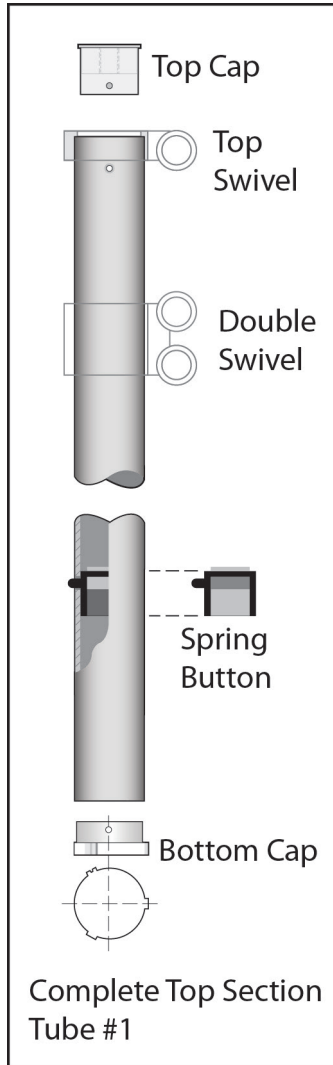
### Tube #1 Spring Button Replacement Instructions

**Tools Needed: Phillips Screwdriver**

**Parts Supplied: Tube #1 Spring Button (FP018-1)**

**WARNING: THE METAL PARTS COULD HAVE SHARP EDGES. TO PREVENT THE RISK OF INJURY, USE SAFETY GLOVES WHEN REMOVING OR REPLACING PARTS. FAILURE TO DO SO COULD CAUSE PERSONAL INJURY.**

**WARNING: FAILURE TO FOLLOW THESE INSTRUCTIONS CAN RESULT IN PERSONAL INJURY! PLEASE READ THESE INSTRUCTIONS COMPLETELY BEFORE PERFORMING THIS PROCEDURE.**



1. Remove the top section of the pole by holding in the button while extending the section upwards and sliding it out of pole #2.
2. Remove the Top Cap mounting screw and remove the Top Cap (the piece the Gold Ball screws into.) Slide the Top and Double Swivels off the top end of the section of the pole.
3. Remove the two Bottom Cap screws from the tube you removed, and remove the Bottom Cap.
4. Remove the screw, if there is one, located next to the Spring Button. Depress the Spring Button into the tube assembly if it is not already depressed.
5. Position the pole vertically so that the Spring Button is at the bottom. Drop a screwdriver, handle first, down the inside of the pole to knock the Spring Button assembly out.
6. Install the new Spring Button assembly into the bottom end of the pole, flat side first. Use a long screwdriver to maneuver the Button into its resting place, with the Button popping out of the hole. If you removed a mounting screw in step 4, DO NOT install the button assembly mounting screw, as it is no longer needed.
7. Reinstall the Bottom Cap with the two mounting screws.
8. Slide the Double Swivel and then the Top Swivel onto the top of the section of the pole.
9. Reinstall the Top Cap with the mounting screws.
10. Place tube #1 back into the main tube assembly. Lower it slowly until the Button pops out of the hole in tube #2. Be sure to line up the slot in the Bottom Cap with the track on the inside of the tube.
11. Test the flagpole for proper operation. The Button should automatically pop into the hole as you raise the section.